

# CleanPrep Vacuum Sanding Systems



Complies with  
NFPA-484



Fulfills Health  
Recommendations In DHHS-  
NIOSH, Publication 96-105



**CAR-O-LINER®**

# CleanPrep Vacuum Sanding Systems



## A Clean Shop Begins With Dust Containment.

Today, most OEM certification programs require safe dust extraction of aluminum, carbon fiber, and other materials.

Dust containment results in a clean business that is safe for your customers and employees. It reduces labor time, and increases efficiency, and therefore increases profitability.

Dusts of all types are one of the most problematic enemies of a collision repair shop. As dust travels throughout the building, it can create corrosion, contamination, potential fire hazards and costly reworks.

Built to military and commercial aerospace specifications Car-O-Liner CleanPrep Vacuum Systems safely extract dust from your shop.

The CleanPrep Wet Mix Immersion Separator and Dry Pneumatic Portable HEPA vacuums are designed specifically for the capture of combustible, corrosive, and toxic dust, such as aluminum, carbon fiber, magnesium, titanium, and hexavalent chromium coatings, capturing 99.97% of particles 0.3 microns and larger.



CleanPrep Wet Mix Immersion Vacuum

CleanPrep Dry 5 Gallon HEPA Vacuum



CleanPrep Dry Pneumatic Portable HEPA Vacuum

## CLEANPREP DRY 5 GALLON HEPA VACUUM

Constructed of 18 gauge powder coated steel, the CleanPrep Dry 5 Gallon HEPA vacuum features extra heavy-duty components to ensure long life and unprecedented durability.

The vacuum features a unique auto-start/stop function that activates directly from the sander in the technicians hand. The vacuum offers single or dual user capability.

The powerful and super quiet vacuum motor runs at 67 dB. It features a self-closing vacuum port, as well as a screw on HEPA filter with pre-filter that protects and extends the life of the HEPA filter.



## CLEANPREP WET MIX IMMERSION SEPARATOR

Featuring the same qualities as the Dry 5 Gallon vacuum, the Wet Mix Immersion Separator draws air and collected particulate into an immersion tank and forces it through a roiling water bath, thoroughly wetting dust out of the air stream. Three stages of additional filtration ensure the air exhausted from the system is dust and moisture free. All components and fasteners are manufactured from stainless steel, aluminum, or brass. The system is simple to drain, easy to disassemble, and extremely user friendly.



Specifications	Dry	Wet Mix
Airflow	125 CFM	125 CFM
Suction	120" H <sub>2</sub> O	120" H <sub>2</sub> O
Cord	30'	30'
Filtration	HEPA	Stainless steel coalescing filter
Max Sound Level	67 dBA	67 dBA
Automatic Operation	Yes	Yes
Construction	ALU/Steel	ALU/Steel
Casters/Wheels	Steel with Rubber	Steel with Rubber
L x W x H	20 x 20 x 35	28 x 20 x 43
Weight	60 lbs	75 lbs
Warranty	5 Year Parts / 1 Year Labor	5 Year Parts / 1 Year Labor
Manufactured in	USA	USA

## CLEANPREP DRY PNEUMATIC PORTABLE HEPA VACUUM

This portable air powered vacuum is compact and lightweight, at just under 10 pounds. It features non-marring rubber feet and an easy-carry handle. It is dust ignition proof thanks to its use of a quiet air motor drive system, certified for the collection of combustible dust. An optional carry case, backpack harness and wall mount bracket are also available.



## RANDOM ORBITAL & ORBITAL VACUUM SANDERS

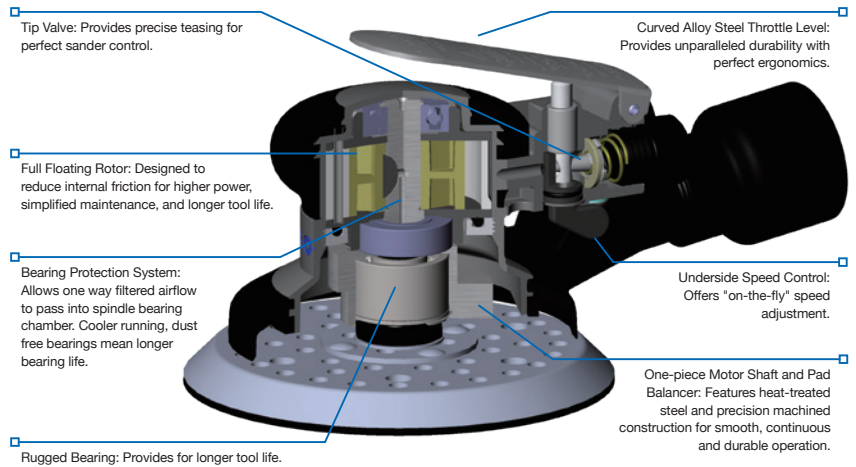
Vacuum sanders extend sand paper life by more than 30% as compared to traditional non-vacuum sanders. CleanPrep sanding systems are constructed of the highest grade materials. Fits to universal hook and loop sanding paper.



Vacuum Sander, Dual Action, 3" Diameter

Vacuum Sander, Orbital, 2.75" x 8"

Vacuum Sander, Dual Action, 6" Diameter



## MANUAL VACUUM SANDERS

Hand sanding blocks provide dust free sanding without a compressed air supply. They're ideal for quick spot repairs or areas where finesse is required. The hand sanding blocks can be easily connected to either a portable vacuum system or a central vacuum. The ergonomic design fits comfortably in the palm and ensures fatigue-free sanding.



Manual Vacuum Sander  
2.75" x 16" Rectangular Flexible



Manual Vacuum Sander  
2.75" x 8" Rectangular



Manual Vacuum Sander  
2.75" x 16" Rectangular



Manual Vacuum Sander  
2.75" x 5" Rectangular